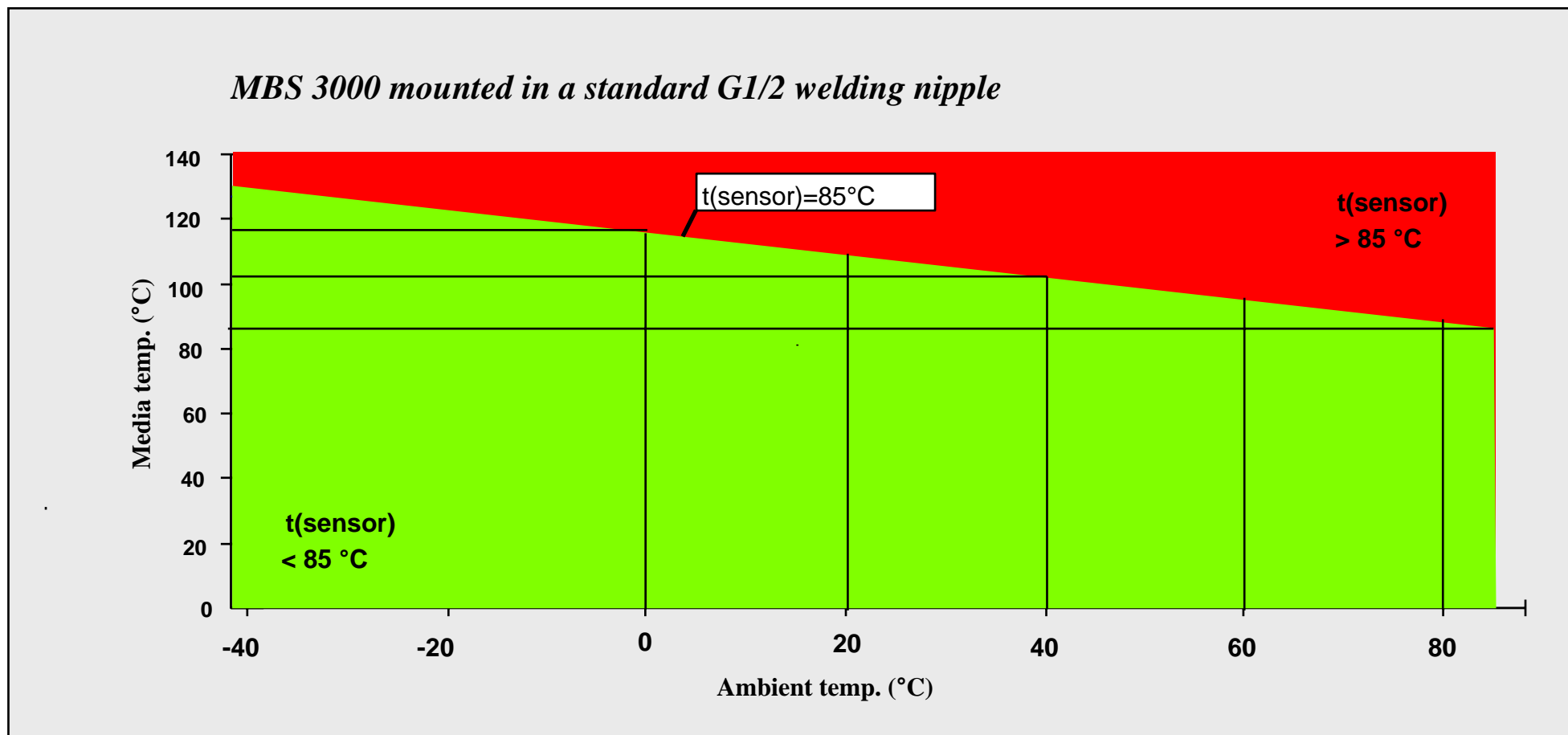


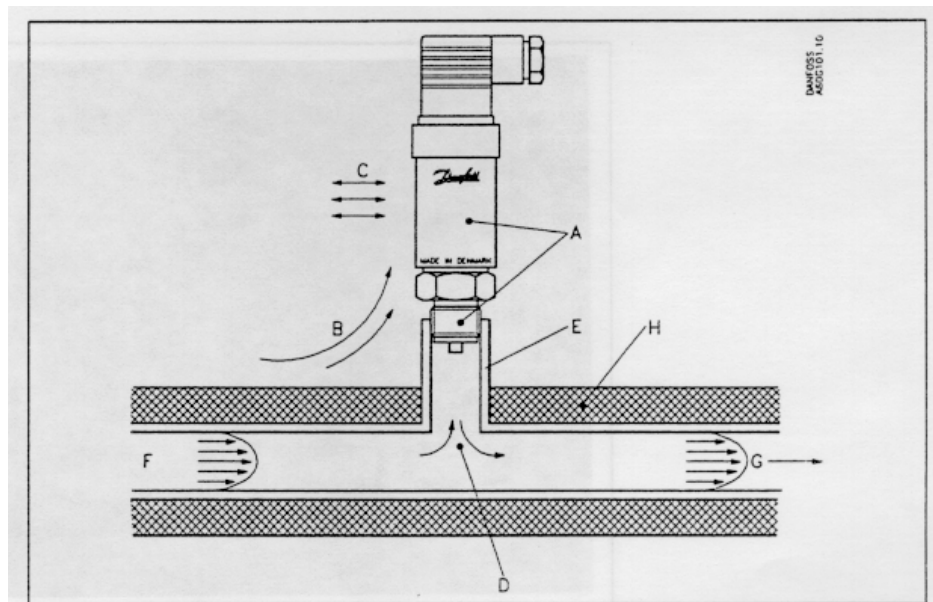
Temperature

Operating, media, ambient



Pressure transmitters

Ambient-, medium- and sensor temperature.



- A: Operational temperature
- B: Radiant heat
- C: Heat convection to environment
- D: Heat exchange during medium flow
- E: Heat conduction to environment
- F: Medium temperature
- G: Velocity
- H: Insulation

From Product info IN.26.E1.02 (1993.02)
High medium and ambient temperature influences on pressure transmitter Type MBS 33

The max. sensor (operation) temperature of MBS 33 is 85 °C.

The temperatures in the table are to be used if the **medium is a liquid**. If the medium is steam the transmitter shall be mounted so that the steam will condense and create a water column in front of the sensor. (Table values at 40 C ambient)

Medium Temperature	Pipe Length	Transmitter Temp. (Operational Temp.)
120°C	2 cm	85°C
	5 cm	75°C
	10 cm	70°C
100°C	2 cm	75°C
	5 cm	65°C
	10 cm	60°C